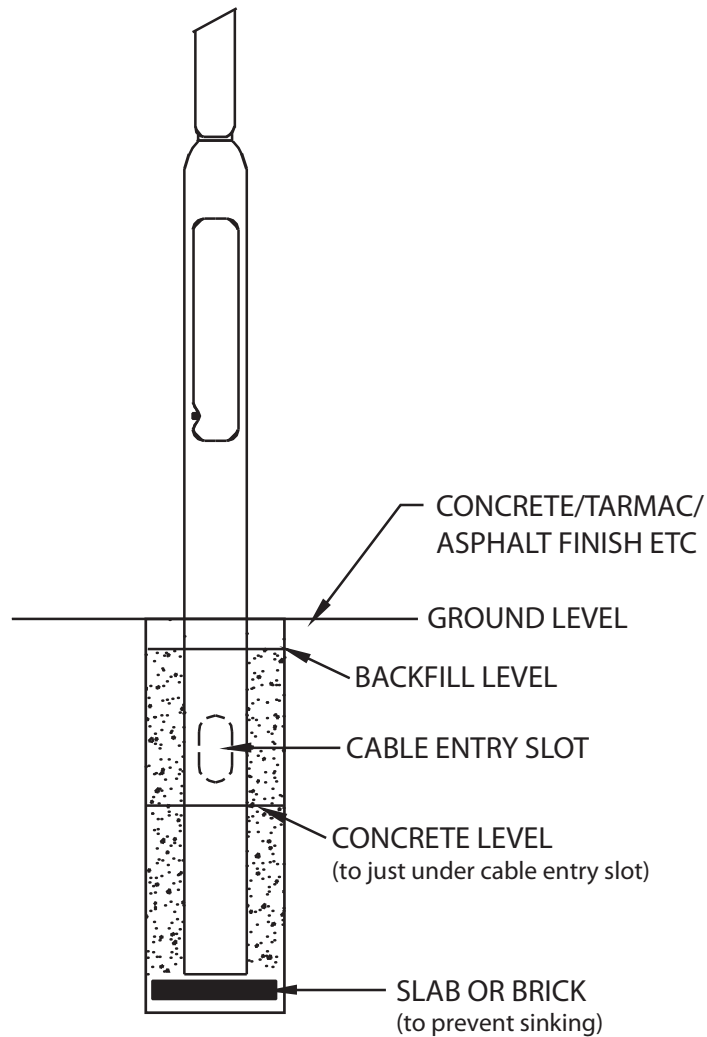


# Column Installation Guide



## Guidance Notes:

1. Excavate hole approx. 100mm / 200mm larger than the base of column diameter to full depth of root.
2. Place a slab or brick (to prevent sinking).
3. Using a semi-dry concrete mix, put bottom covering in first, then lower column on to slab.
4. Continue concrete filling (to just under cable entry slot), and insert SWA cable.
5. Compact excavated material as backfill on top of concrete.
6. If required, use concrete/tarmac/asphalt finish.

